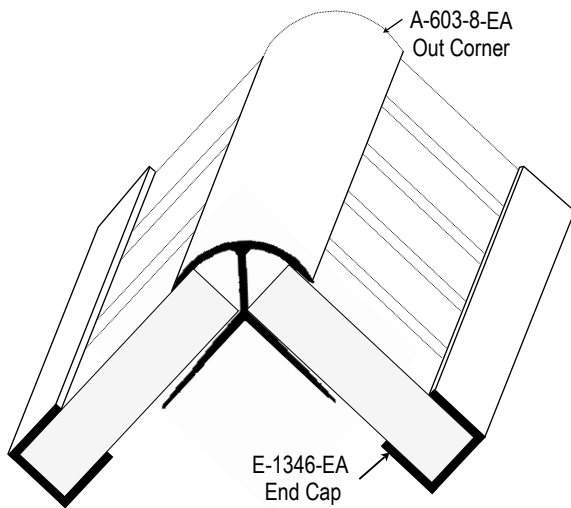
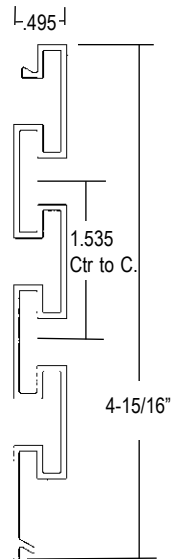
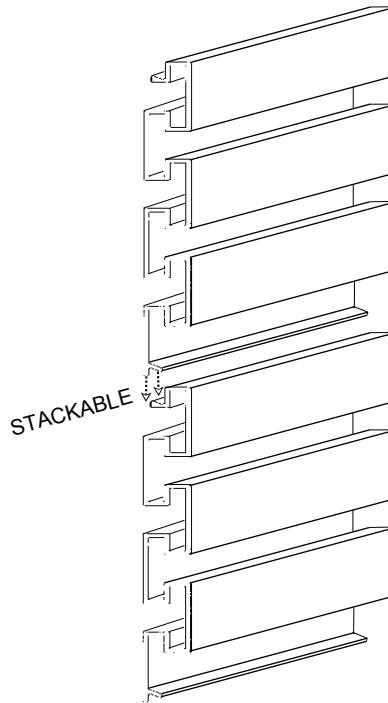
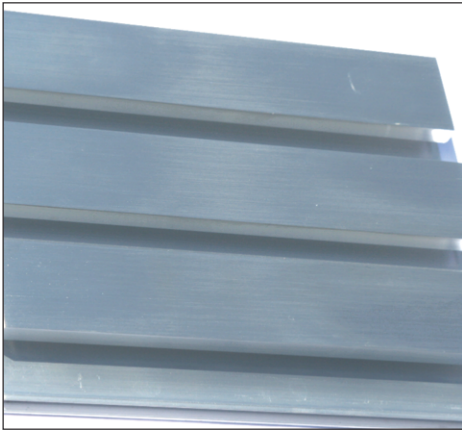
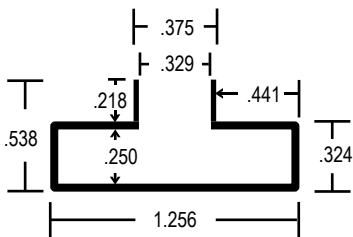
 (763) 493-2995

Aluminum Slatwall Extrusion

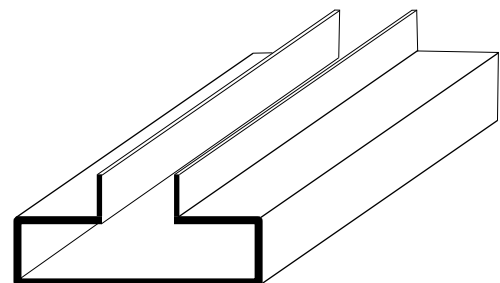
Stackable Style. Anodized or Powder Coat
Finishes available upon request.



E-7584 MF
150" lengths



E-5384 MF
97" Lengths
48 Pieces per Carton



Actual Size