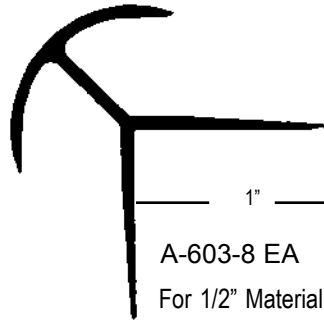
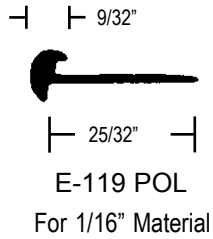
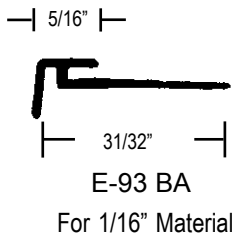
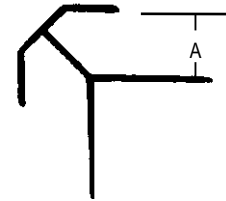

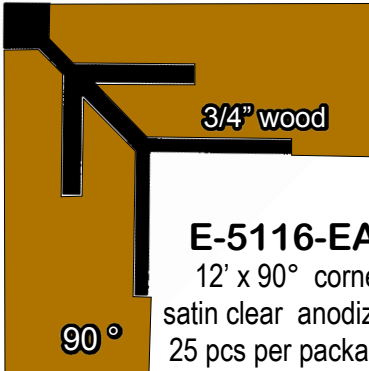


OUT CORNERS

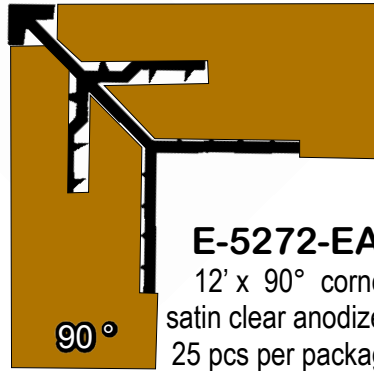


DIE	FINISH	A material
E-252	POL	1/16"
E-452	POL	3/32"
E-694	POL,EA	1/4"

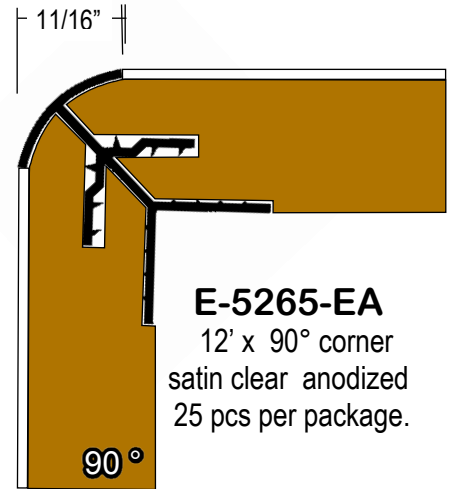
 (763) 493-2995



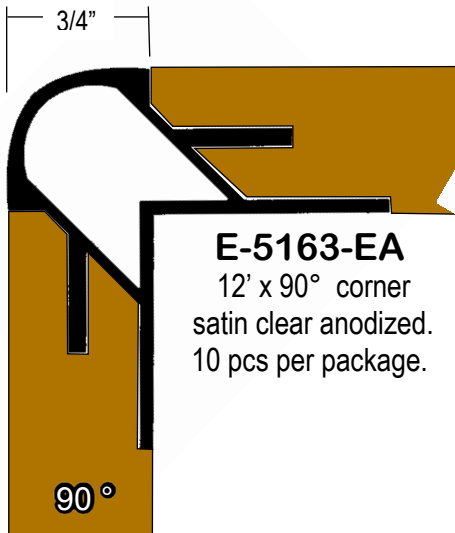
E-5116-EA
12' x 90° corner
satin clear anodized
25 pcs per package.



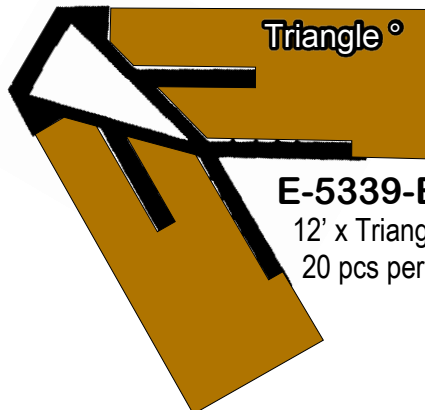
E-5272-EA
12' x 90° corner
satin clear anodized.
25 pcs per package.



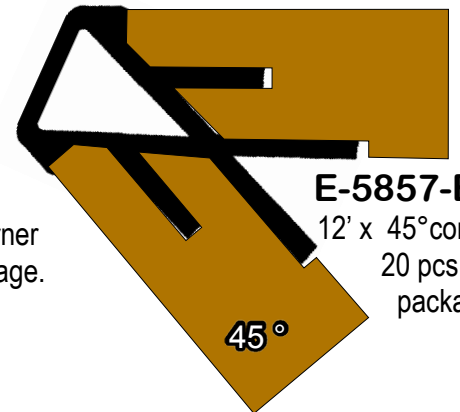
E-5265-EA
12' x 90° corner
satin clear anodized
25 pcs per package.



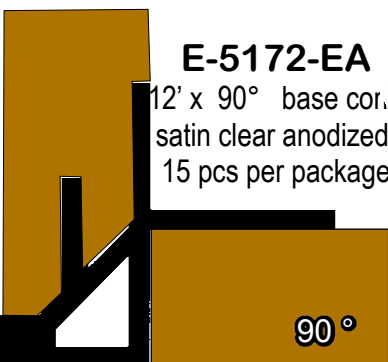
E-5163-EA
12' x 90° corner
satin clear anodized.
10 pcs per package.



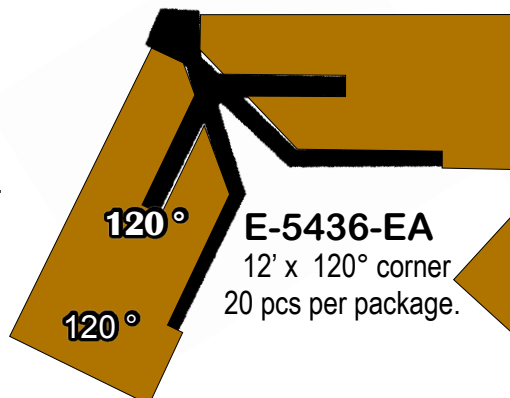
E-5339-EA
12' x Triangle corner
20 pcs per package.



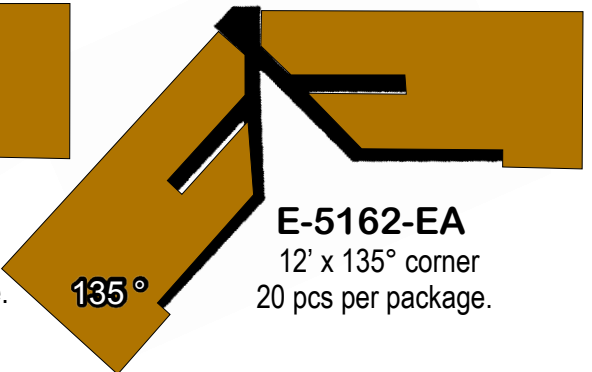
E-5857-EA
12' x 45° corner
20 pcs per package.



E-5172-EA
12' x 90° base cor.
satin clear anodized.
15 pcs per package.



E-5436-EA
12' x 120° corner
20 pcs per package.



E-5162-EA
12' x 135° corner
20 pcs per package.